

7/8" female 0° with cable

PUR 5x1.0 gy 12m

Female straight

7/8" (5-pole)

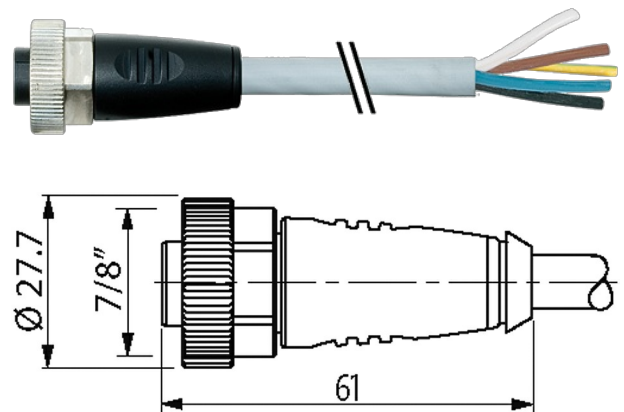
Power cable

with cable sleeves

Further cable lengths on request.

Plastic housings with good resistance against chemicals and oils.

The resistance to aggressive media should be individually tested for your application. Further details on request.

[Link to Product](#)**Illustration**

Product may differ from Image

Approvals

cCSAus

* only for products with UL/CSA approved cable

Form

Form 78021

General data

Temperature range -25...+85 °C, depending on cable quality

Cables

| | |
|----------------------------|-------------------------------|
| Cable number | 965 |
| No./diameter of wires | 5 × 1.0 mm ² |
| Wire isolation | PP (br, wh, bl, bk num, gnye) |
| Jacket Color | gray |
| Material (jacket) | PUR/PVC |
| Outer Ø | 7.2 mm ±5% |
| Bend radius (moving) | 10 × outer Ø |
| Temperature range (fixed) | -30...+70 °C |
| Temperature range (mobile) | -5...+70 °C |
| Cable identification | 965 |
| Approval (cable) | CE |
| Cable weight [g/m] | 86,90 |
| Material (wire) | Cu wire, bare |

| | |
|-------------------------------------|--|
| Resistor (core) | max. 19.5 Ω /km (20 °C) |
| Single wire \varnothing (core) | 0.2 mm |
| Diameter (core) | 5 x 1.0 mm ² |
| AWG | similar to AWG 17 |
| Material (wire isolation) | PP |
| Shore hardness (wire isolation) | 60 \pm 5 D |
| Wire- \varnothing incl. isolation | 2.0 mm \pm 5% |
| Color/numbering of wires | bl, bk, wh, br, num; gnye longitudinally striped |
| Stranding combination | 5 wires twisted around central filler |
| Shield | no |
| Material (jacket) | PUR/PVC |
| Material property (jacket) | CFC-, halogen-, cadmium-, silicone- and lead-free, matt, low-adhesion, machine easy to process, abrasion-resistant, hydrolysis and microbial resistant |
| Shore hardness (jacket) | 81 \pm 5 A / 90 \pm 5 A |
| Outer- \varnothing (jacket) | 7.2 mm \pm 5% |
| Color (jacket) | gray |
| Nominal voltage | 600 V AC |
| Test voltage | 3000 V AC |
| Current load capacity | to DIN VDE 0298-4 |
| Temperature range (fixed) | -30...+70 °C |
| Temperature range (mobile) | -5...+70 °C |
| Bend radius (fixed) | 7.5 x outer \varnothing |
| Bend radius (moving) | 10 x outer \varnothing |

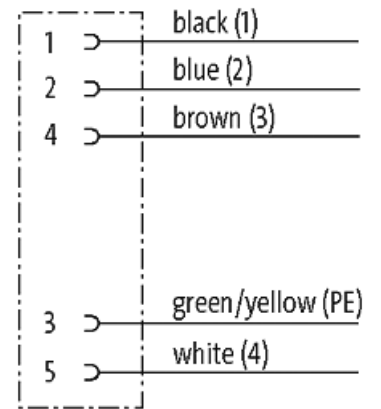
Technical Data

| | |
|-------------------------------|---|
| Operating voltage | max. 230/400 V AC/DC |
| Operating current per contact | max. 12 A |
| Locking of ports | Screw thread 7/8" (recommended torque 1.5 Nm) self-securing |
| Protection | IP67 inserted and tightened (EN 60529) |
| Locking material | Zinc die casting, matte nickel plated |

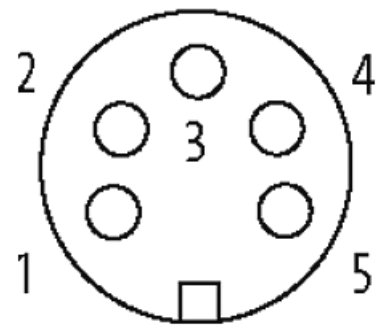
Commercial data

| | |
|-----------------------|---------------|
| country of origin | CZ |
| customs tariff number | 85444290 |
| EAN | 4048879466967 |
| eClass | 27279218 |
| Packaging unit | 1 |

Sketch



Female



Product may differ from Image